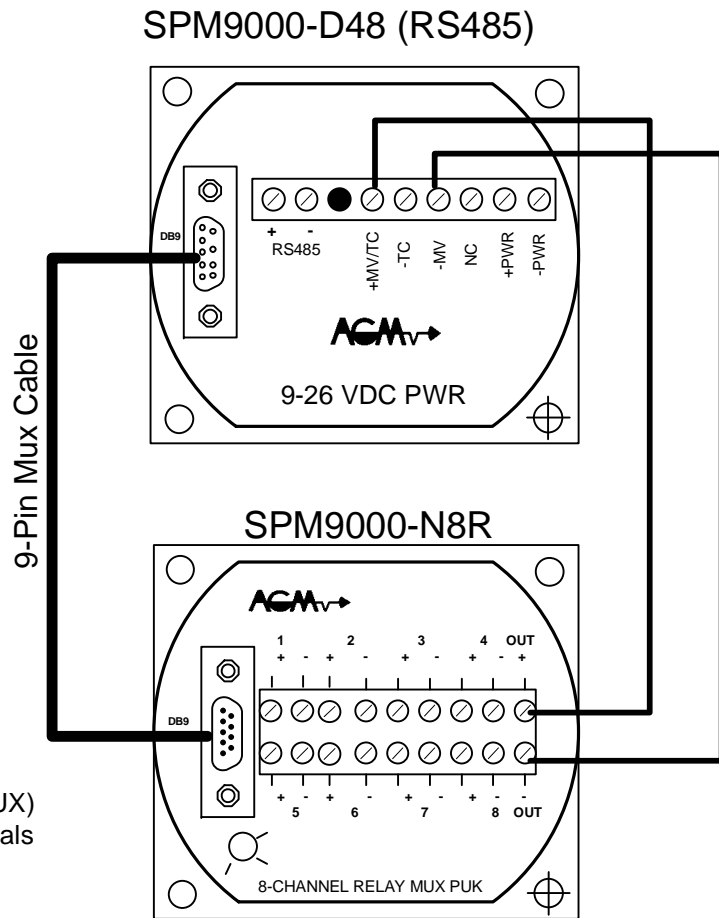


OR



8-Channel Relay HPK (MUX) with Plug and Play Terminals

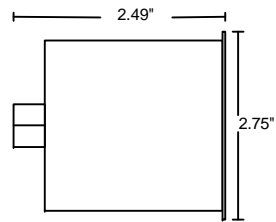
9-Pin Mux Cable

**NOTES:**

- 1) Typical Current Draw = A) Standby - 270uADC  
B) Processing - 50mA  
C) Communicating 30 MADC
- 2) Memory is 32K Protected for 1 year
- 3) Operating Voltage Range - 9 to 26 VDC.
- 4) Operating Temperature - -20/180 Deg. F.
- 5) Contact Rating is 28 VDC , 28 VAC @ 500mA.

Installation notes: Important  
For input distance greater than 50 feet, use standard approved methods for protecting the lines from transients.  
When using RS232 do not use cable longer than 50 feet.

PIN#	DESCRIPTION
1	Relay Drive 1. Pull to (-) Supply to close.
2	Relay Drive 3. Pull to (-) Supply to close.
3	Relay Drive 5. Pull to (-) Supply to close.
4	Relay Drive 7. Pull to (-) Supply to close.
5	(+) Supply
6	Relay Drive 2. Pull to (-) Supply to close.
7	Relay Drive 4. Pull to (-) Supply to close.
8	Relay Drive 6. Pull to (-) Supply to close.
9	Relay Drive 8. Pull to (-) Supply to close.



Signature Block		AGM Electronics, Inc. Tucson, Arizona		
Signature	Date	Wiring Schematic Diagram  <b>MUX PUK SYSTEM</b>		
Created By	JG 8/17/04			
Eng. Approval	KH 8/17/04			
Approved for Mfg	JV 8/17/04			
Approved by Customer				
Certified by QC	NT 8/17/04	Code ID No.	Size A	Part No. WSD-A20620-17
Scale	N/A	Wt	Sheet 1 OF 1	Rev NC