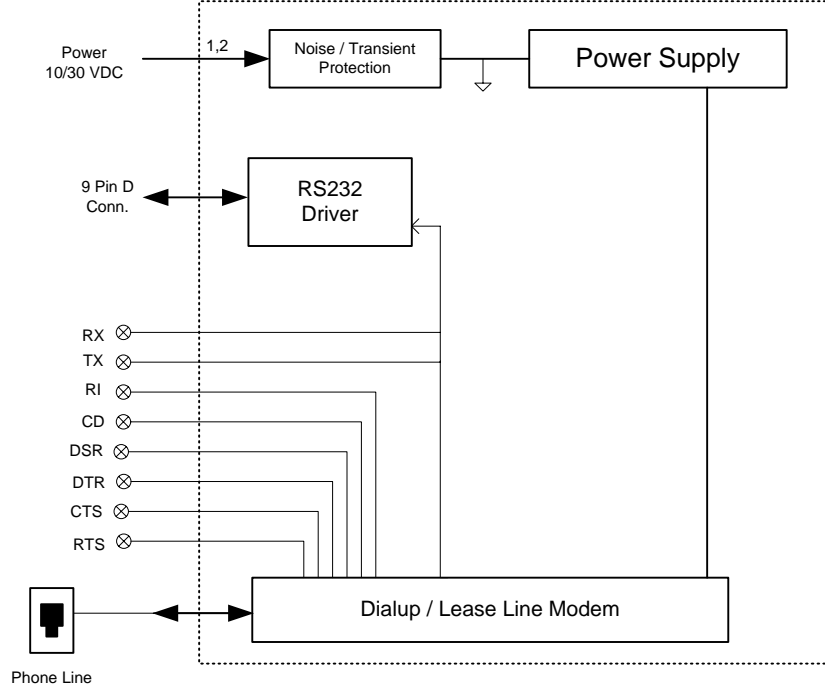
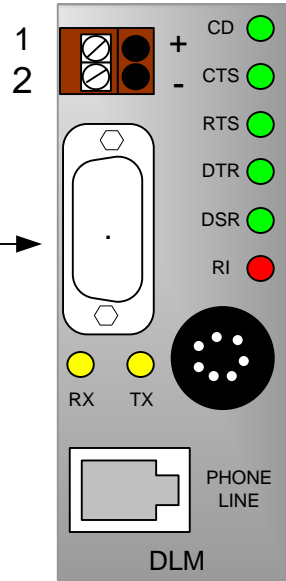


Simplified Schematic



View from Front



Pin	Description
1	12/30 Volt DC Power (+)
2	Power (-)

RS232 Connection to DC, DH, ICS, PLC, Computer, etc.



Indicators

LED	Description
RI	Ring Indicator. Indicates connected phone line is ringing.
DSR	Indicates Modem is ready
DTR	Indicates DH, DC, ICS, or other RS232 device is connected.
TX	Flashes when characters are transmitted to the Modem from the connected device
RX	Flashes when characters are transmitted from the Modem to the connected device
CD	Carrier Detect. Indicates Modem is connected to another modem.
CTS	Indicates Data can be transferred. Hardware Handshaking Enabled.
RTS	Indicates Data can be transferred. Hardware Handshaking Enabled.

Configuration Settings



Modem is configured with standard modem AT commands.

Common commands:

- ATD###-### Dial specified phone number
- ATS0=1 Enable Auto Answer
- AT&L0 Dial up operation
- AT&L1 Leased Line Originate Mode
- AT&L2 Leased Line Answer Mode
- AT&W0 Save Settings

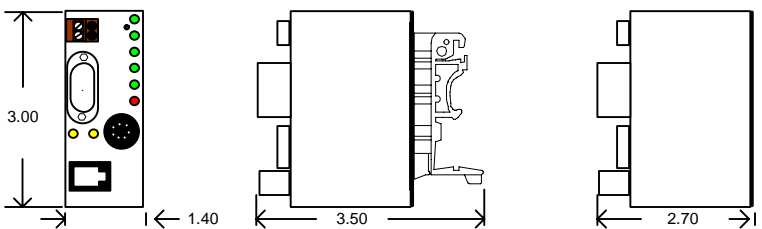
Notes:

1. RS232 Connector is 9 Pin Female. Use a 9 Pin Male to Female cable to connect to AGM Data Controller, DTE (A) port. Use nulled cable to interface with AGM DH.
2. Device complies with Part 15 and 68 of the FCC Rules.
3. For wire length greater than 50 feet, use standard approved methods for protecting lines from transients.
4. Refer to "DLM User's Manual" for additional information

DIN MOUNT

ALL DIMENSIONS IN INCHES

AUX MOUNT



Signature	Date
Drawn By JG	3/21/08
Checked By KH	3/21/08
Engr Appvd JGV	3/24/08
QC Appvd NT	3/24/08
Contract No.	

AGM Electronics. Inc. Tucson, Arizona			
Wiring and Schematic Diagram			
Dialup/ Lease Line-Modem (DLM) DIN / AUX 5019-1			
Code ID No.	Size	Part No.	Rev
	A	WSD - 20622-1	A
Scale - None	WT	Sheet 1 of 1	